

A photograph of several spools of Hitachi wires, showing the intricate texture of the brass wire and the clear plastic spool structure. The spools are arranged in a row, with the foreground spool being the most prominent and in focus.

# HITACHI WIRES

## **SPECIAL FEATURES**

Paraffin Free

Exceptional Cleanliness

Superior Straightness For Consistent Threading

Zinc Enriched Brass For Faster Cutting Speed

Produced From Virgin Raw Materials



**GLOBAL EDM**  
S U P P L I E S

## TYPES OF WIRE

# HITACHI-HBZ-K

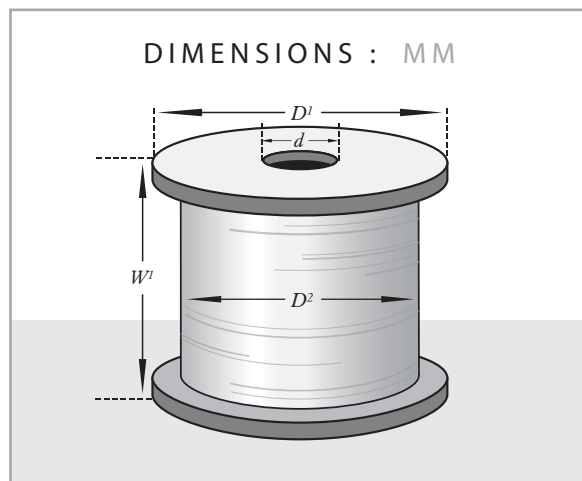
GRADE	COMPOSITION	DIAMETER	TOLERANCE	TENSILE STRENGTH
HBZ-K Hard	60% Copper / 40% Zinc	.1mm-.33mm	+0/-.002mm	980 N/mm <sup>2</sup>

# HITACHI-ABZ

GRADE	COMPOSITION	DIAMETER	TOLERANCE	TENSILE STRENGTH
ABZ Soft	65% Copper / 35% Zinc	.2mm-.33mm	+0/-.002mm	440 N/mm <sup>2</sup>

## SPOOL : WEIGHT & PACKING

Spool Type	Dimension (mm)				Std. wt. kg	Spool/ Box
	D <sup>1</sup>	D <sup>2</sup>	W <sup>1</sup>	d		
P-3R	130	80	110	20	3.0	6
P-5R	160	90	114	20	5.0	4
P-5RX	160	90	114	20	6.0	4
P-5X	160	70	114	20	6.8	4
P-10	200	90	134	25	10.0	1
P-15L	250	110	140	34	20.0	1
P-30	280	200	220	73	30.0	1
P-50	320	162	217	34	50.0	1
DIN125	125	80	125	16	3.0	4
DIN160	160	100	160	22	6.0	2
DIN200	200	125	200	22	15.0	1



CORPORATE OFFICE - Global EDM Supplies Inc.  
1111 Western Row Road, Mason, OH 45040

OPERATIONS CENTER - Global EDM Supplies, Inc.  
411 John Downey Drive, New Britain, CT 06051

TEL ▶ 800.708.1345  
FAX ▶ 513.701.0457

TEL ▶ 800.290.7573  
FAX ▶ 800.211.8886