



EPSILON WIRE



Epsilon

NEXT GENERATION EDM WIRE

SPECIAL FEATURES

- Improved Surface Finish
- Improved Threading
- Not Brittle
- Enriched Zinc Surface
- Continuous Coating

EXCLUSIVELY MANUFACTURED FOR GLOBAL EDM SUPPLIES, INC.
PATENT PENDING



GLOBAL EDM
S U P P L I E S

TYPES OF WIRE

EPSILON

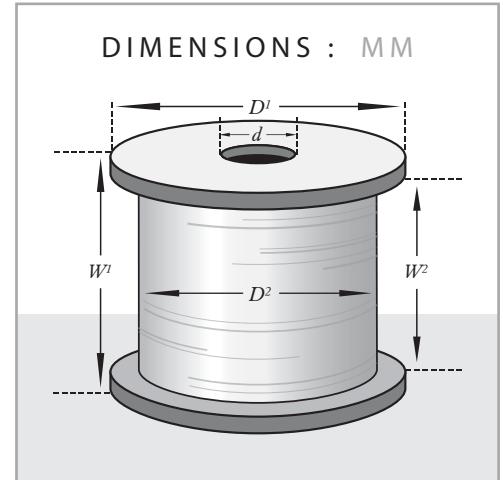
GRADE	COMPOSITION	DIAMETER	TOLERANCE	TENSILE STRENGTH
EPSILON Hard	65% Copper / 35% Zinc	.1mm-.33mm	+0/-.002mm	980 N/mm ²

EPSILON-SOFT

GRADE	COMPOSITION	DIAMETER	TOLERANCE	TENSILE STRENGTH
EPSILON Soft	65% Copper / 35% Zinc	.2mm-.33mm	+0/-.002mm	440 N/mm ²

SPOOL, WEIGHT & PACKING

Spool Type	Dimension (mm)					Std. wt. lbs/kg	Spool/ Box
	D ¹	D ²	W ¹	W ²	d		
P3	130	80	110	90	20	6.6/3.0	6
P5	160	90	114	90	20	11.0/5.0	4
P10	200	90	134	110	25	22.0/10.0	2
P20	250	110	140	110	34	44.0/20.0	1
DIN125	125	80	125	100	16	7.7/3.5	4
DIN160	160	100	160	128	22	17.6/8.0	2
DIN200	200	125	200	160	22	35.2/15.0	1
DIN250	n/a	n/a	n/a	n/a	n/a	55.0/25.0	1



CORPORATE OFFICE - Global EDM Supplies Inc.
1111 Western Row Road, Mason, OH 45040

OPERATIONS CENTER - Global EDM Supplies, Inc.
411 John Downey Drive, New Britain, CT 06051

TEL ▶ 800.708.1345
FAX ▶ 513.701.0457

TEL ▶ 800.290.7573
FAX ▶ 800.211.8886