



AXIOM™ WIRES

Axiom™

TRADITIONAL HIGH SPEED EDM COATED WIRE

SPECIAL FEATURES

European Manufacturing
Proven Quality & Performance
Over 15 Years Of Established History
Based Upon Patented Technologies
Competitive Pricing

EXCLUSIVELY MANUFACTURED FOR GLOBAL EDM SUPPLIES, INC.
UNDER PROPRIETARY AGREEMENT



GLOBAL EDM
S U P P L I E S

TYPES OF WIRE

AXIOM™ A-KUT

GRADE	TENSILE STRENGTH	CORE	EXTERIOR COATING	ELONGATION	DIAMETER	CONDUCTIVITY
A-TYPE SOFT	490 N/mm ² 71,000 psi	CuZn37	Zn oxidized	>15%	0.15 - 0.33 mm	21% IACS
A-TYPE HARD	900 N/mm ² 130,000 psi	CuZn37	Zn oxidized	<2%	0.07 - 0.33 mm	21% IACS

AXIOM™ D-KUT

GRADE	TENSILE STRENGTH	CORE	EXTERIOR COATING	ELONGATION	DIAMETER	CONDUCTIVITY
D-TYPE	800 N/mm ² 116,000 psi	CuZn20	CuZn50	<3%	0.15 - 0.33 mm	29% IACS

AXIOM™ X-KUT

GRADE	TENSILE STRENGTH	CORE	EXTERIOR COATING	ELONGATION	DIAMETER	CONDUCTIVITY
X-TYPE	480 - 560 N/mm ² 70,000 - 81,000 psi	Copper	CuZn50	<2%	0.20 - 0.30 mm	77% IACS

AXIOM™ CC-KUT

GRADE	TENSILE STRENGTH	CORE	EXTERIOR COATING	ELONGATION	DIAMETER	CONDUCTIVITY
CC-TYPE	500 N/mm ² 72,000 psi	Copper	CuZn50	>2%	0.25 - 0.33 mm	66% IACS



COMPETITIVE PRICING

European Manufacturers have been actively involved in the development and production of high speed coated EDM wires since the first wire EDM machine was commercialized. European made coated wires have been recognized in the industry for perfection, precision and speed. These wires have been sold under brand names for a number of years.

To provide these products on a competitively priced basis, Global EDM Supplies, Inc. has established production arrangements with world leading manufacturers to produce and supply selected high speed coated wires under a private label. To further reduce costs, Global EDM is importing common diameters on selected pool sizes in bulk quantities for further distribution within and outside the United States.

These wires have been made using patented technologies and processes and meet or exceed the brand named product quality standards. These wires are further supported by Global EDM's "one on one" personal sales and technical support programs.

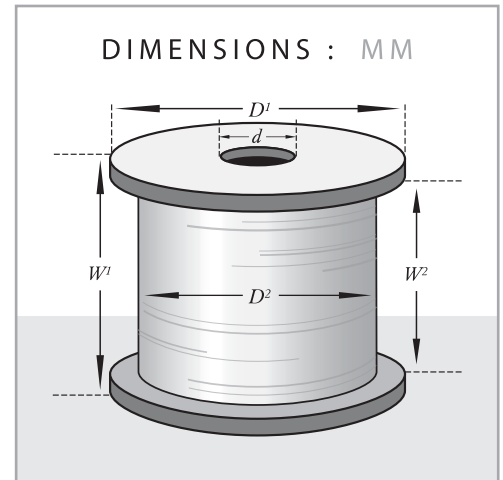
CROSS REFERENCE GUIDE

NOTE : ALL LISTED NAMES ARE REGISTERED TRADEMARKS OF INDIVIDUAL MANUFACTURERS / DISTRIBUTORS

CLASSIC SERIES	X-KUT	D-KUT	CC-KUT	A-KUT
GISCO / BEDRA	BroncoCut X	CobraCut D / MegaCut D	BroncoCut XCC	CobraCut A / MegaCut A
CHARMILLES	SW-X	n/a	SW-XCC	SW-A
AGIE	n/a	AgieCut SWD	n/a	AgieCut A
INTECH	BetaCut X	AlphaCut D	n/a	AlphaCut 800
THERMO COMPACT	X	SWD	XCC	n/a
STAMM	StammCut Xi	StammCut XiD	n/a	StammCut ZC

SPOOL, WEIGHT & PACKING

Spool Type	Dimension (mm)					Std. wt. lbs/kg	Spool/ Box
	D ¹	D ²	W ¹	W ²	d		
P3	130	80	110	90	20	6.6/3.0	6
P5	160	90	114	90	20	11.0/5.0	4
P10	200	90	134	110	25	22.0/10.0	2
P20	250	110	140	110	34	44.0/20.0	1
DIN125	125	80	125	100	16	7.7/3.5	4
DIN160	160	100	160	128	22	17.6/8.0	2
DIN200	200	125	200	160	22	35.2/15.0	1
DIN250	n/a	n/a	n/a	n/a	n/a	55.0/25.0	1



LENGTH PER SPOOL

Wire Diameter (mm)	Japan Standard						European Standard		
	3.0kg	5.0km	10.0km	20.0kg	30.0kg	50.0kg	3.5kg	8.0kg	15.0kg
	6.6lbs	11.0lbs	22.0lbs	44.0lbs	66.0lbs	110.0lbs	7.7lbs	17.6lbs	35.2lbs
0.07	n/a	n/a	n/a	n/a	n/a	n/a	109.2km	n/a	n/a
0.10	45.9km	n/a	n/a	n/a	n/a	n/a	53.6km	n/a	n/a
0.15	20.4km	34.0km	n/a	n/a	n/a	n/a	23.8km	54.4km	n/a
0.20	11.5km	19.1km	38.0km	76.0km	114.0km	191.0km	13.3km	30.4km	57.3km
0.25	7.3km	12.2km	24.4km	48.8km	73.2km	122.0km	8.8km	20.0km	36.6km
0.30	5.1km	8.5km	17.0km	34.0km	51.0km	85.0km	n/a	13.6km	25.5km
0.33	n/a	7.0km	14.0km	28.0km	42.0km	70.0km	n/a	11.2km	21.0km

CORPORATE OFFICE-Global EDM Supplies Inc.
1111 Western Row Road, Mason, OH 45040

CONNECTICUT OFFICE-Global EDM Supplies, Inc.
411 John Downey Drive, New Britain, CT 06051

TEL ▶ 800.708.1345
FAX ▶ 513.573.9919

TEL ▶ 800.290.7573
FAX ▶ 800.211.8886